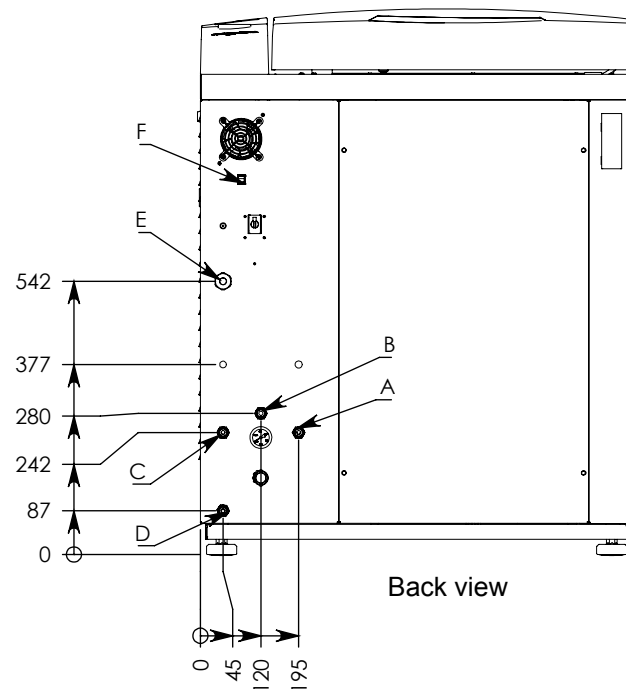
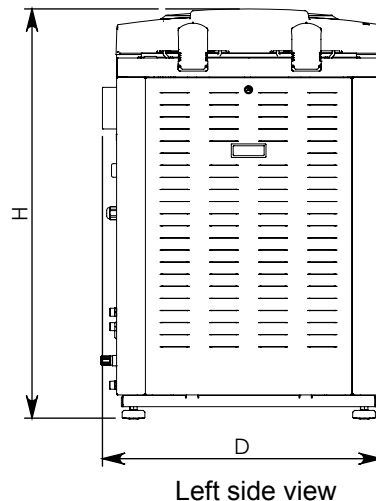
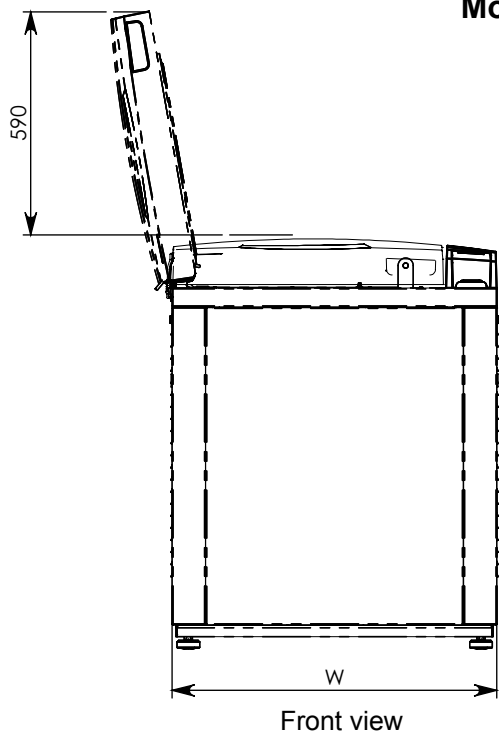


**Models: 5050ELVC and 5075ELVC**



Electric option	Standard	Optional (additional cost)	Optional switch box from 3 ph to 1 ph
Voltage	380V/400V	208V/230V	230v
Electric Power	9kW	9kW	9kW
Amperage	16A	25A	40A
Phase	3 Ph	3 Ph	1 Ph

No.	Description	Size	Minimum Pressure
A	Tap water inlet ( C model only)	1/2" - Male	2 Bar
B	Air pressure inlet ( C model only)	1/2" - Male	3 Bar
C	Mineral free water inlet	1/2" - Male	2 Bar
D	Chamber drain	3/4" - Male	-
E	Power supply	-	-
F	Ethernet port	RJ-45	-

Model	Chamber diameter x depth	Volume	External Dimensions W x H x D
5050ELVC-D	500 x 500 mm	110 Liter	870x860x770
5075ELVC-D	500 x 750 mm	160 Liter	870x1090x770