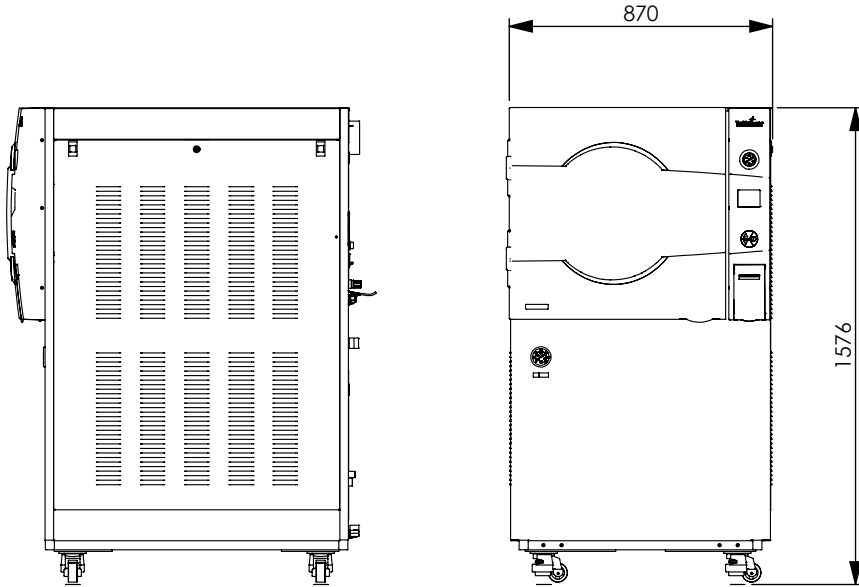
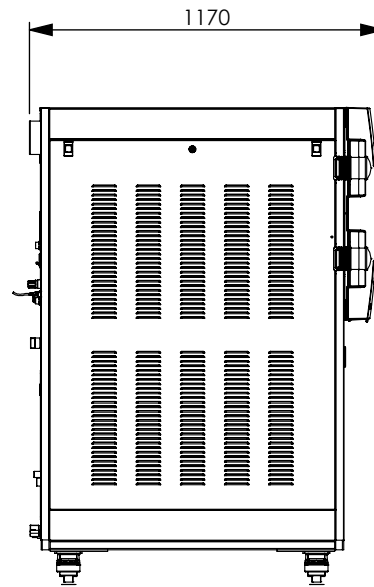


**Model 5050ELC-G-D and 5075ELC-G-D**  
including steam generator

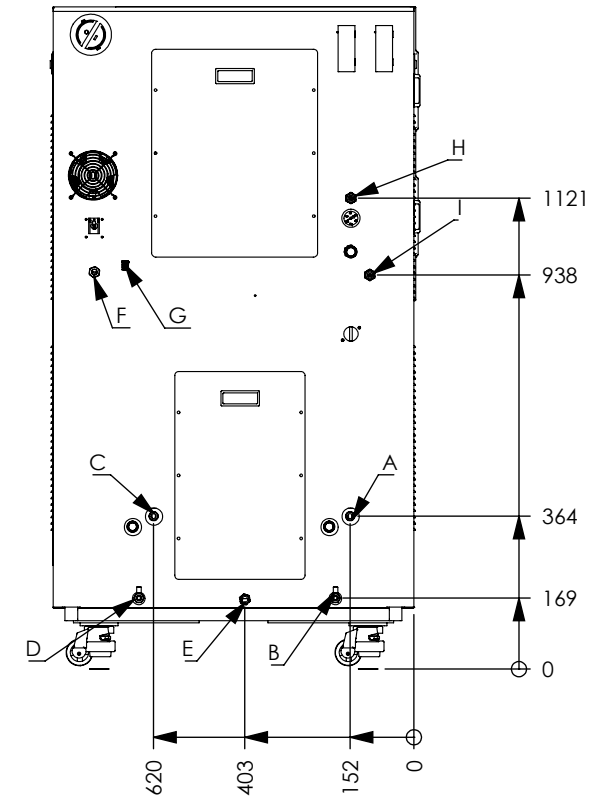


Right side view

Front view



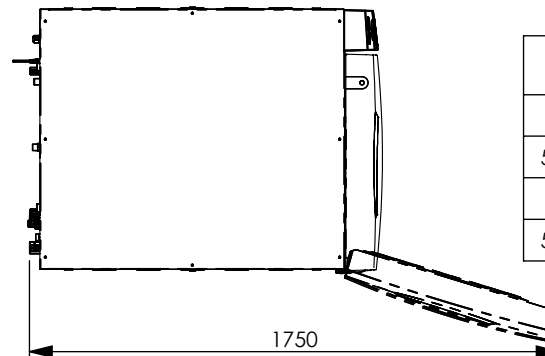
Left side view



Back view

Electrical options	Standard	Optional (additional cost)
Voltage	380V/400V	208V/230V
Electric Power	9kW	9kW
Amperage	13A	23A
Phase	3 Ph	3 Ph

No.	Description	Size	Minimum Pressure
A	Tap water inlet for vacuum pump	1/2" -Male	2 Bar
B	Water reservoirs manual drain valve	1/4" - Female	-
C	Mineral free water inlet	1/2" - Male	2 Bar
D	Water reservoirs manual drain valve	1/4" - Female	-
E	Chamber and generator drain	3/4" - Male	-
F	Power supply	-	-
G	Ethernet port	RJ-45	-
H	Air pressure inlet	1/2" -Male	3 Bar
I	Tap water inlet for colling	1/2" -Male	2 Bar



Top view

**Installation drawing**

Model	Chamber diameter x depth	Volume
5050ELC-G-D	500 x 500	110 Liter
5050ELC-PVG-D	500 x 500	110 Liter
5075ELC-G-D	500 x 750	160 Liter
5075ELC-PVG-D	500 x 750	160 Liter