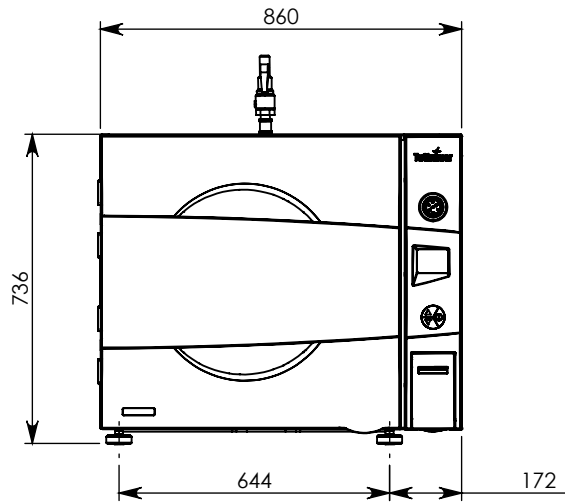
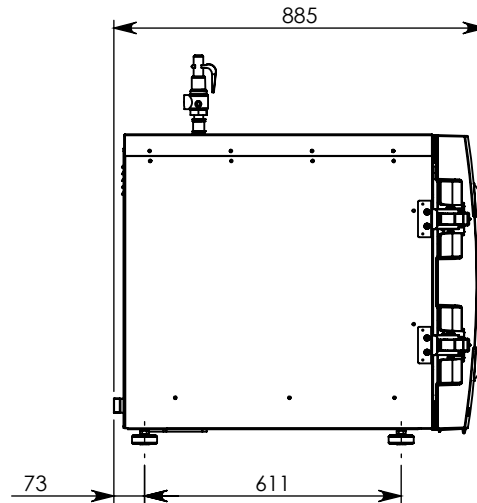


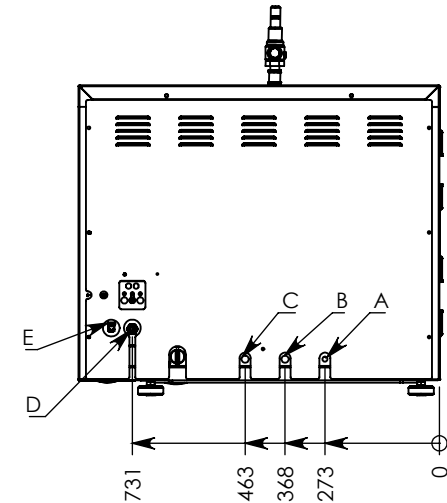
**Model: 5050ELC-D**



Front view



Left side view

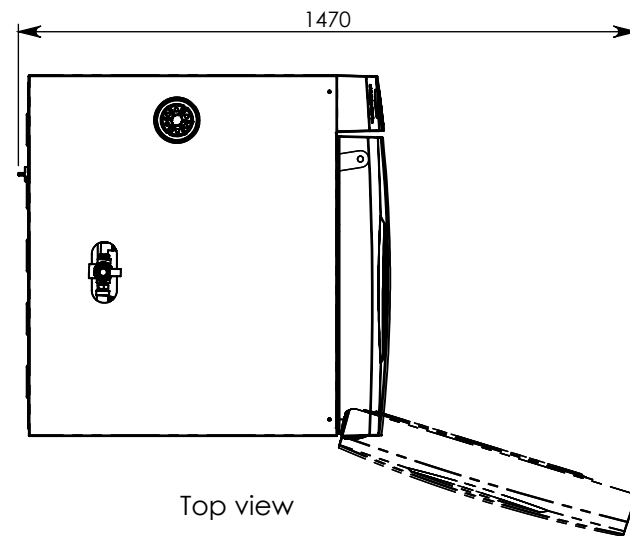


Back view

Model	Chamber diameter x depth	Volume
5050ELC-D	500 x 500	110 Liter

Electrical options	Standard	Optional (additional cost)
Voltage	380V/400V	208V/230V
Electric Power	3.3kW	3.3kW
Amperage	5A	9A
Phase	3 Ph	3 Ph

No.	Description	Size	Minimum Pressure
A	Air pressure inlet ( C model only)	1/2" -Male	3 Bar
B	Tap water inlet ( C model only)	1/2" - Male	2 Bar
C	Drain ( C model only)	1/2" - Male	-
D	Power supply	-	-
E	Ethernet port	RJ-45	-



Top view

**Installation drawing**