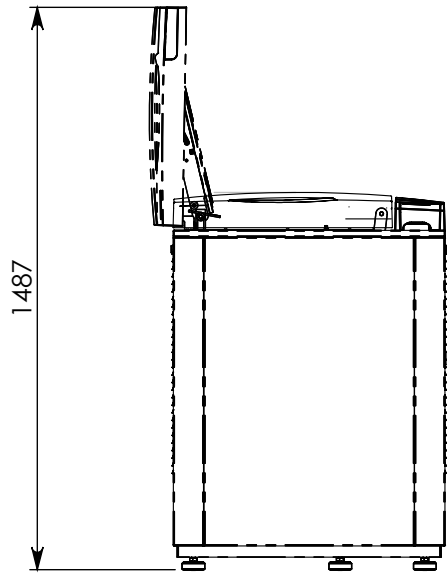
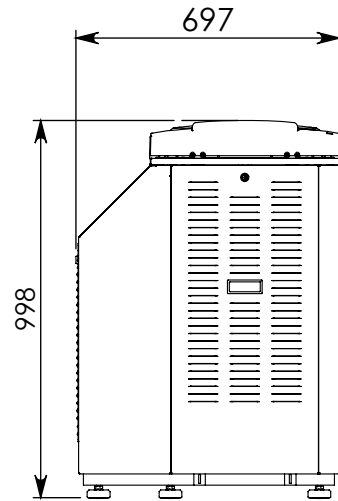


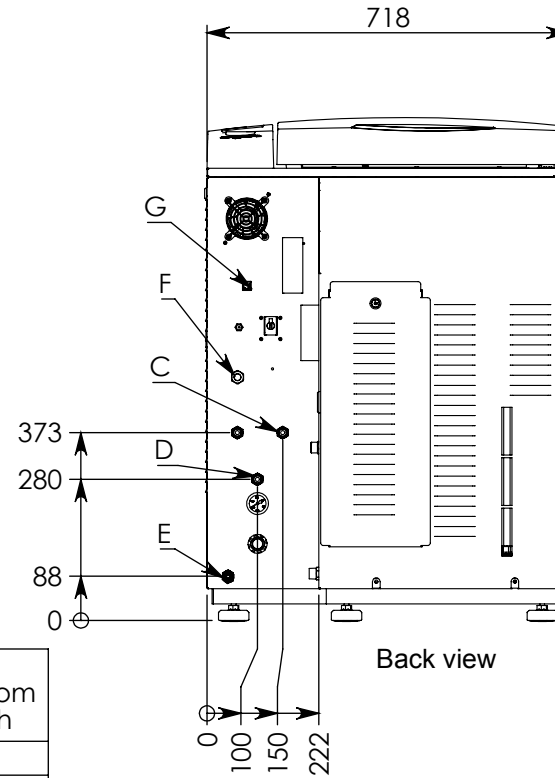
Models: 3850ELVC and 3870ELVC
including steam generator



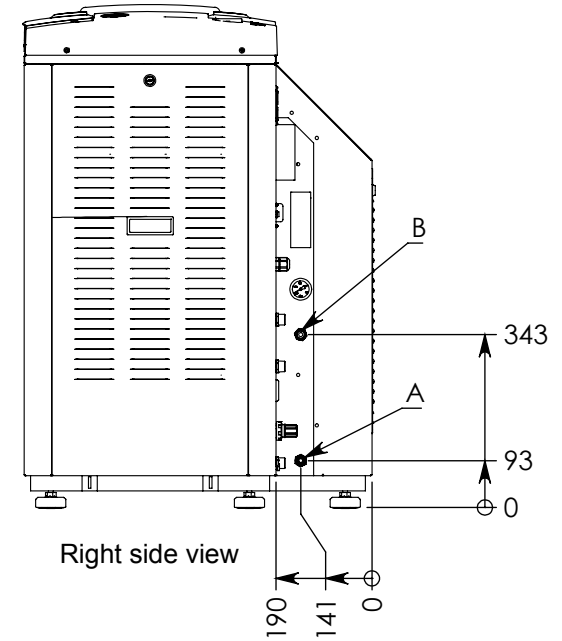
Front view



Left side view



Back view



Right side view

Electric option	Standard	Optional (additional cost)	Optional switch box from 3 ph to 1 ph
Voltage	380V/400V	208V/230V	230v
Electric Power	9kW	9kW	9kW
Amperage	16A	25A	40A
Phase	3 Ph	3 Ph	1 Ph

No.	Description	Size	Minimum Pressure
A	Generator drain outlet	1/2" -Male	-
B	Generator mineral free water inlet	1/2" -Male	2 Bar
C	Tap water inlet (C model only)	1/2" -Male	2-4 Bar
D	Air pressure inlet	1/2" - Male	3 Bar
E	Chamber drain	3/4" - Male	-
F	Power supply	-	-
G	Ethernet port	RJ-45	-

Model	Chamber diameter x depth	Volume
3850ELVC-PVG-D	380 x 500 mm	65 Liter
3870ELVC-PVG-D	380 x 690 mm	85 Liter
3850ELVC-G-D	380 x 500 mm	65 Liter
3870ELVC-G-D	380 x 690 mm	85 Liter