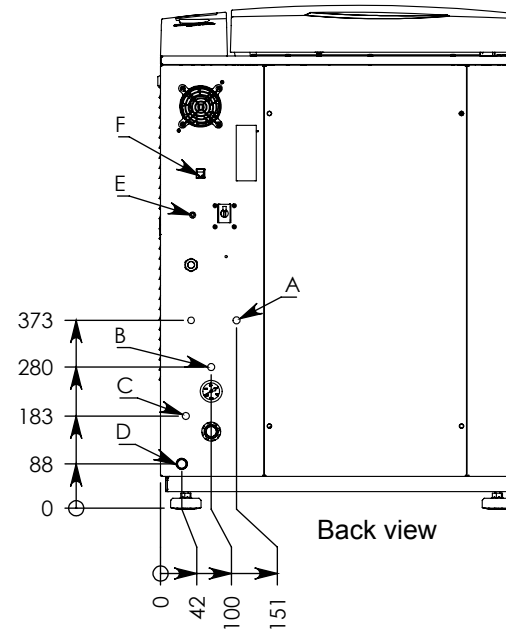
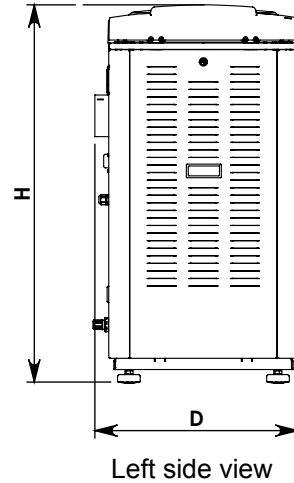
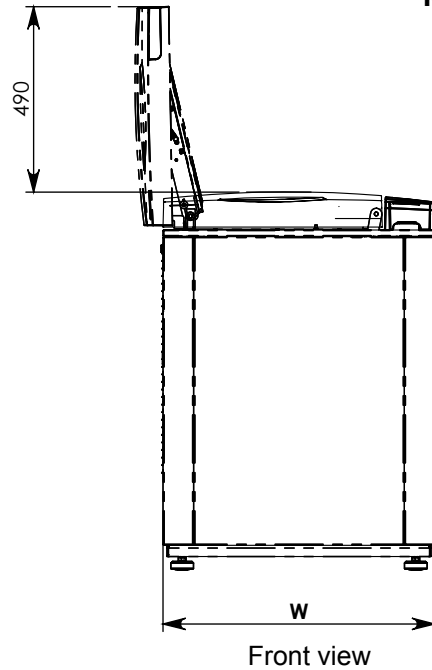


Models: 3840ELVC ,3850ELVC and 3870ELVC



| Electric option | Standard | Optional (additional cost) | Optional switch box from 3 ph to 1 ph |
|-----------------|-----------|----------------------------|---------------------------------------|
| Voltage | 380V/400V | 208V/230V | 230v |
| Electric Power | 6kW | 6kW | 6kW |
| Amperage | 9A | 15A | 30A |
| Phase | 3 Ph | 3 Ph | 1 Ph |

| No. | Description | Size | Minimum Pressure |
|-----|------------------------------------|-------------|------------------|
| A | Tap water inlet (C model only) | 1/2" - Male | 2 Bar |
| B | Air pressure inlet (C model only) | 1/2" - Male | 3 Bar |
| C | Mineral free water inlet | 1/2" - Male | 2 Bar |
| D | Chamber drain | 3/4" - Male | - |
| E | Power supply | - | - |
| F | Ethernet port | RJ-45 | - |

| Model | Chamber diameter x depth | Volume | External Dimensions W x H x D |
|------------|--------------------------|----------|-------------------------------|
| 3840ELVC-D | 380 x 400 | 52 Liter | 730 x 900 x 540 |
| 3850ELVC-D | 380 x 500 | 65 Liter | 730 x 900 x 540 |
| 3870ELVC-D | 380 x 690 | 85 Liter | 730 x 1000 x 540 |