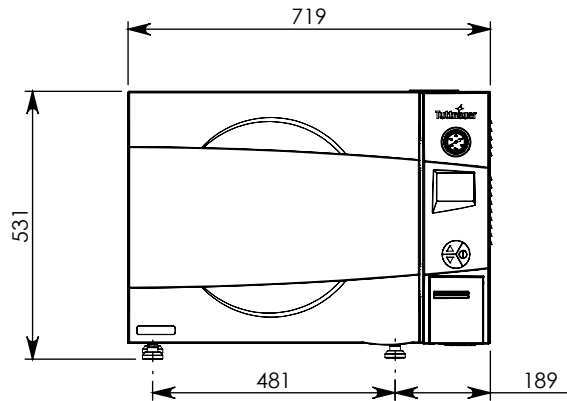
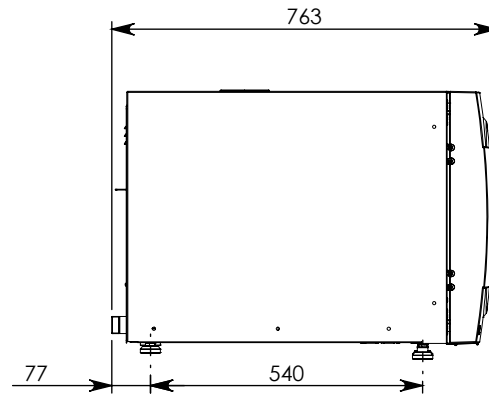


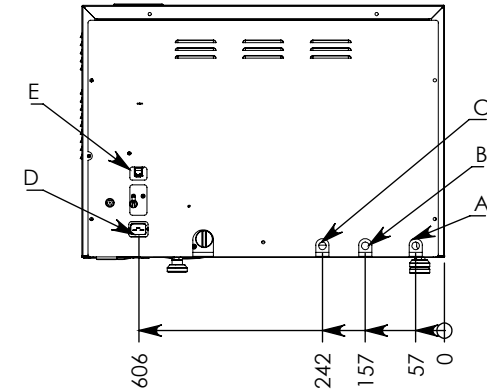
**Model: 3840ELC-D and 3850ELC-D**



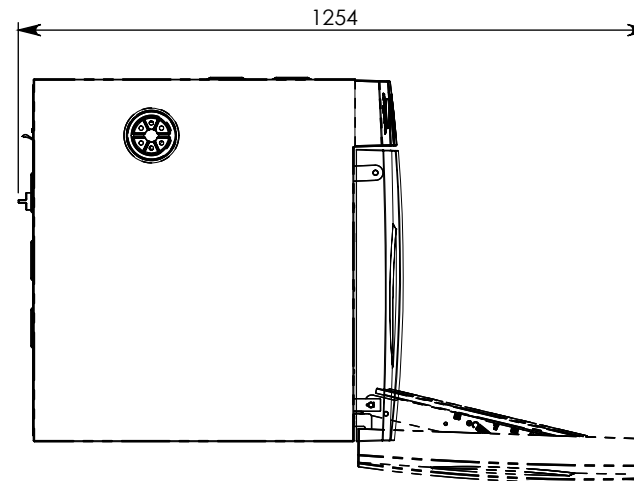
Front view



Left side view



Back view



Top view

Model	Chamber diameter x depth	Volume
3840ELC-D	380x 400	52 Liter
3850ELC-D	380x 490	65 Liter

Electrical options	Standard - 3840	Standard - 3850
Voltage	208V/230V	208V/230V
Electric Power	2.4kW	3kW
Amperage	11A	13A
Phase	1 Ph	1 Ph

No.	Description	Size	Minimum Pressure
A	Air pressure inlet ( C model only)	1/2" -Male	3 Bar
B	Tap water inlet	1/2" - Male	2 Bar
C	Drain	1/2" - Male	-
D	Power supply	-	-
E	Ethernet port	RJ-45	-

**Installation drawing**