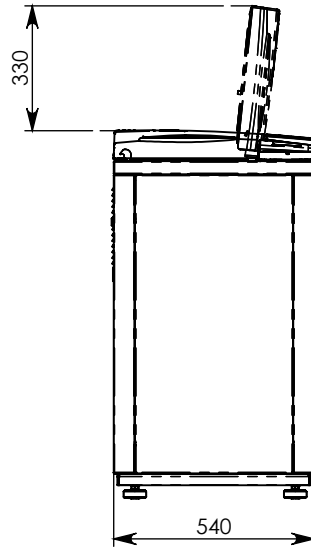
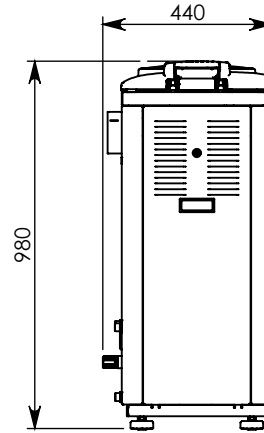


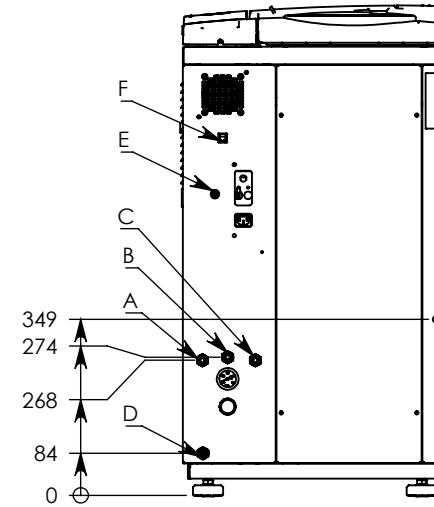
Model: 2840ELVC



Front view



Left side view



Back view

Electric option	Standard
Voltage	230V
Electric Power	2.4kW
Amperage	11A
Phase	1Ph

No.	Description	Size	Minimum Pressure
A	Tap water inlet (C model only)	1/2" - Male	2 Bar
B	Air pressure inlet (C model only)	1/2" - Male	3 Bar
C	Mineral free water inlet	1/2" - Male	2 Bar
D	Chamber drain	3/4" - Male	-
E	Power supply	-	-
F	Ethernet port	RJ-45	-

Model	Chamber diameter x depth	Volume
2540ELVC-D	280 x 460	31 Liter