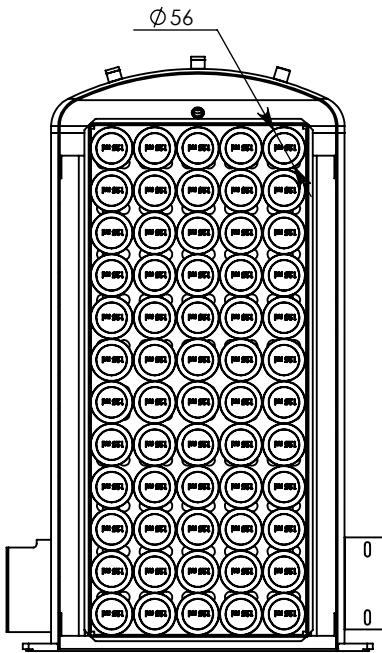
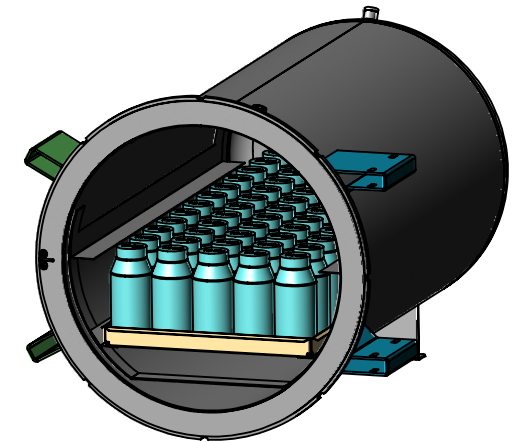
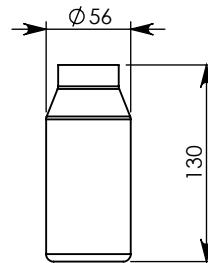
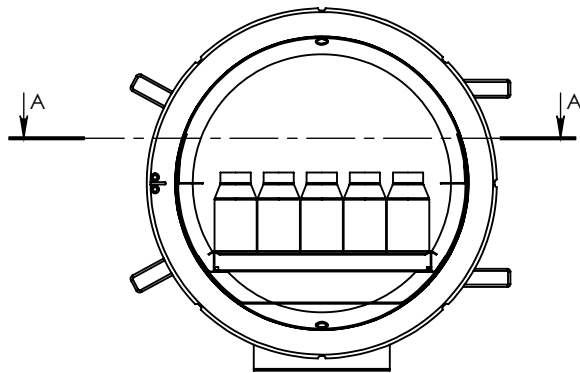


PROPRIETARY AND CONFIDENTIAL

THE INFORMATION CONTAINED IN THIS DRAWING IS THE SOLE PROPERTY OF TUTTNAUER LTD. ANY REPRODUCTION IN PART OR AS A WHOLE WITHOUT THE WRITTEN PERMISSION OF TUTTNAUER LTD. IS PROHIBITED.

PREP. BY	DESCRIPTION	DATE	REV.	ECO
----------	-------------	------	------	-----

125 ml



SECTION A-A

ITEM NO.	PART NUMBER	DESCRIPTION	CATALOG NUMBER	125 ml/Q TY.
1	CL2T11-0010	CHAMBER WELDING 3870ELCGPR-D	CHM387-0052	1
2	CC0T51-0010	Shelf holder	TRH387-0002	1
3	CC0D52-0020	Shelf	TRY387-0004	1
4	DURAN- YOUTILITY bottle,with cap screw	Schott Duran 125 mml	Schott Duran 125 mml	60

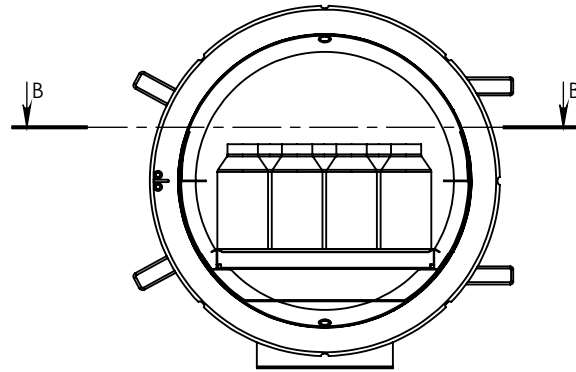
DESIGN	NAME Yosi M	SIGNATURE	DATE 26.02.2014	MODEL : 3870	REV NO.: 00	SCALE: 1:10		A4 / ISO		
DRAWN	Yosi M		26.02.2014	QUANTITY/UNIT: 1	QUANTITY/JOB:	DESCRIPTION: 3870 Loading shelf with Youtility Scott Duran				
APPROVED				JOB NO.:	CAT. No.:	DRAWING NO.:	MATERIAL:			
Q.A				3870 Loading shelf with Youtility Scott Duran						
SHEET 1 OF 4				Drawing folder : M:\Yosim\SolidWorks Work Space\3870 Loading shelf with Youtility Scott Duran			WEIGHT: 66.28 Kg			

NOTES:
1) UNLESS OTHERWISE SPECIFIED: DIMENSIONS ARE IN MILLIMETERS.
2) DO NOT SCALE DRAWING.

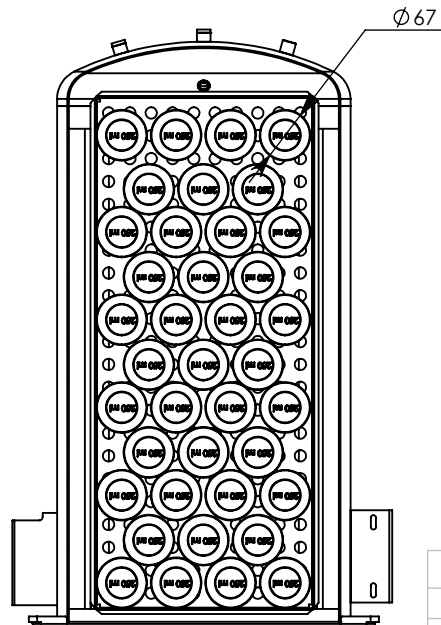
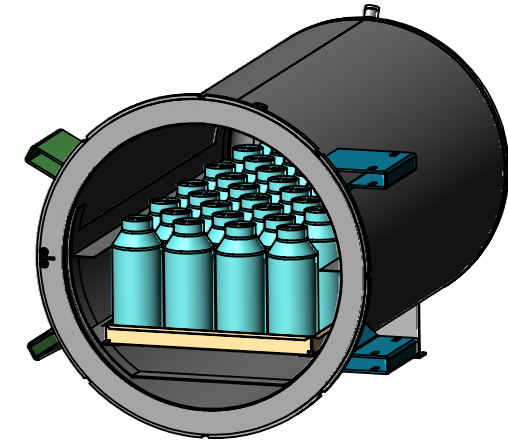
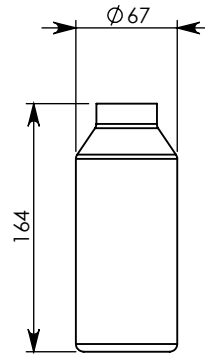
PROPRIETARY AND CONFIDENTIAL

THE INFORMATION CONTAINED IN THIS DRAWING IS THE SOLE PROPERTY OF TUTTNAUER LTD. ANY REPRODUCTION IN PART OR AS A WHOLE WITHOUT THE WRITTEN PERMISSION OF TUTTNAUER LTD. IS PROHIBITED.

Prep.by	Description	Date	Rev. No.	ECO
-	See Sheet I	-	-	-



250 ml



SECTION B-B



ITEM NO.	PART NUMBER	DESCRIPTION	CATALOG NUMBER	250 ml/QTY.
1	CL2T11-0010	CHAMBER WELDING 3870ELCGPR-D	CHM387-0052	1
2	CC0T51-0010	Shelf holder	TRH387-0002	1
3	CC0D52-0020	Shelf	TRY387-0004	1
4		DURAN- YOUTILITY bottle.with cap screw	Schott Duran 250 mml	Schott Duran 250 mml 39

DESIGN	NAME Yosi M	SIGNATURE	DATE 26.02.2014	MODEL : 3870		A4 / ISO	
DRAWN	Yosi M		26.02.2014	REV NO.: 00 SCALE: 1:10			
APPROVED				QUANTITY/UNIT: 1	QUANTITY/JOB:	DESCRIPTION: 3870 Loading shelf with Youtility Scott Duran	
Q.A				CAT. No.:	DRAWING NO.:	MATERIAL:	
SHEET 2 OF 4			JOB NO.:	3870 Loading shelf with Youtility Scott Duran			
Drawing folder : M:\Yosim\SolidWorks Work Space\3870 Loading shelf with Youtility Scott Duran						WEIGHT:	66.28 Kg

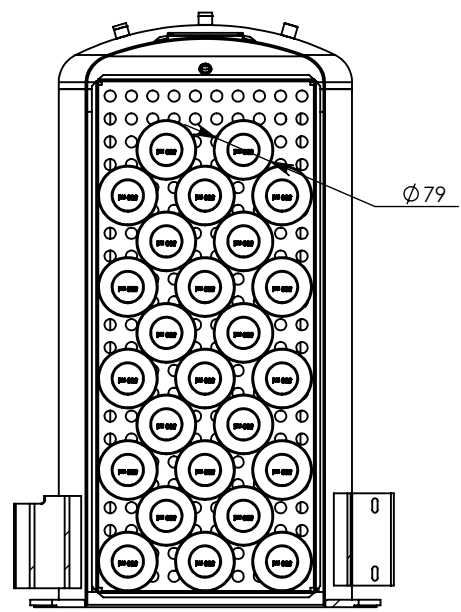
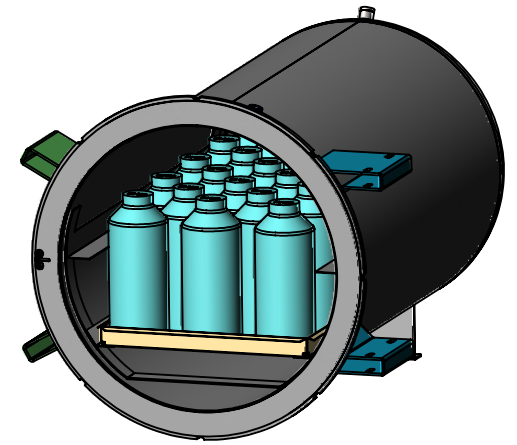
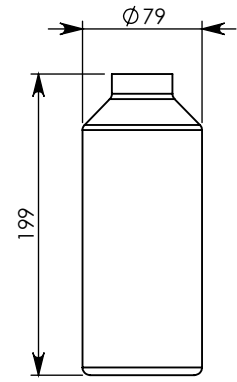
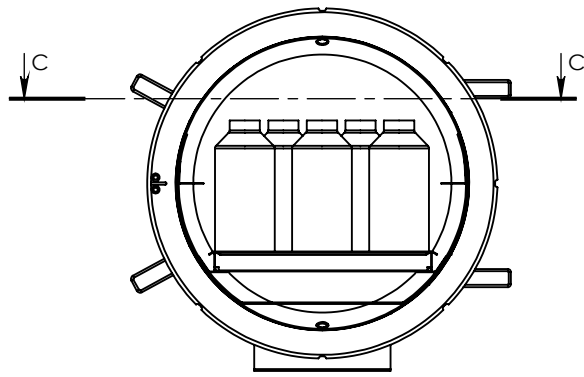
NOTES:
1) UNLESS OTHERWISE SPECIFIED: DIMENSIONS ARE IN MILLIMETERS.
2) DO NOT SCALE DRAWING.

PROPRIETARY AND CONFIDENTIAL

THE INFORMATION CONTAINED IN THIS DRAWING IS THE SOLE PROPERTY OF TUTTNAUER LTD. ANY REPRODUCTION IN PART OR AS A WHOLE WITHOUT THE WRITTEN PERMISSION OF TUTTNAUER LTD. IS PROHIBITED.


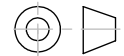
Prep. by	Description	Date	Rev. No.	ECO
-	See Sheet I	-	-	-

500 ml



SECTION C-C

ITEM NO.	PART NUMBER	DESCRIPTION	CATALOG NUMBER	500 ml/QTY.
1	CL2T11-0010	CHAMBER WELDING 3870ELCGPR-D	CHM387-0052	1
2	CC0T51-0010	Shelf holder	TRH387-0002	1
3	CC0D52-0020	Shelf	TRY387-0004	1
4	DURAN- YOUTILITY bottle, with cap screw	Schott Duran 500 mml	Schott Duran 500 mml	25

DESIGN	Yosi M	SIGNATURE	DATE	MODEL :	3870		A4 / ISO		
DRAWN	Yosi M		26.02.2014	REV NO.:	00				SCALE:
APPROVED			26.02.2014	QUANTITY/UNIT:	1	QUANTITY/JOB:	1	DESCRIPTION:	3870 Loading shelf with Youtility Scott Duran
Q.A				JOB NO.:		CAT. No.:		DRAWING NO.:	
SHEET 3 OF 4				3870 Loading shelf with Youtility Scott Duran			MATERIAL:		

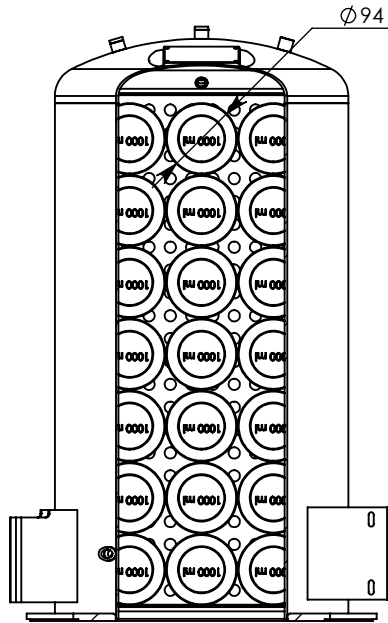
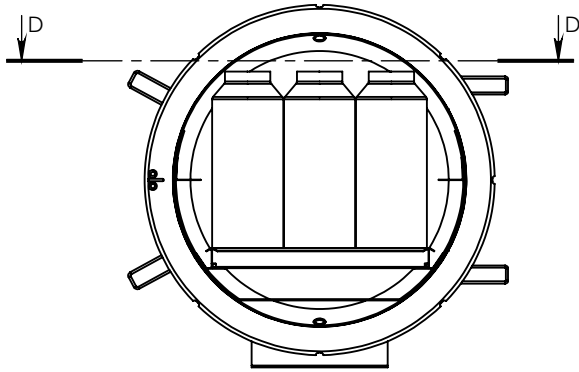
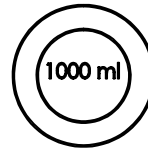
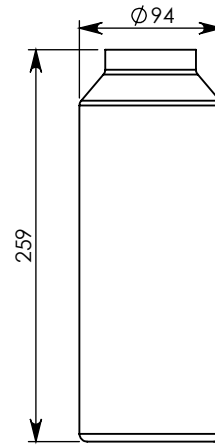
NOTES:
 1) UNLESS OTHERWISE SPECIFIED: DIMENSIONS ARE IN MILLIMETERS.
 2) DO NOT SCALE DRAWING.

PROPRIETARY AND CONFIDENTIAL

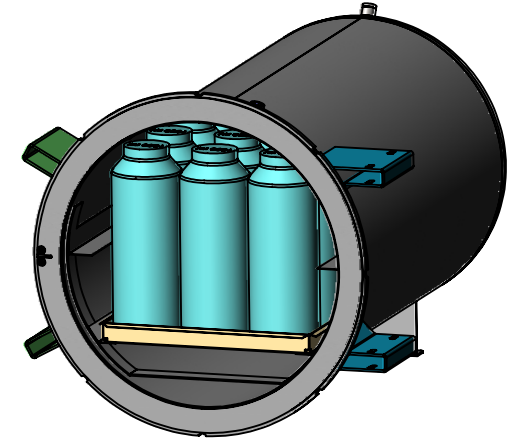
THE INFORMATION CONTAINED IN THIS DRAWING IS THE SOLE PROPERTY OF TUTTNAUER LTD. ANY REPRODUCTION IN PART OR AS A WHOLE WITHOUT THE WRITTEN PERMISSION OF TUTTNAUER LTD. IS PROHIBITED.

Prep.by	Description	Date	Rev. No.	ECO
-	See Sheet I	-	-	-

1000 ml



SECTION D-D



ITEM NO.	PART NUMBER	DESCRIPTION	CATALOG NUMBER	1000 ml/QTY.
1	CL2T11-0010	CHAMBER WELDING 3870ELCGPR-D	CHM387-0052	1
2	CC0T51-0010	Shelf holder	TRH387-0002	1
3	CC0D52-0020	Shelf	TRY387-0004	1
4	DURAN- YOUTILITY bottle,with cap screw	Schott Duran 1000 mml	Schott Duran 1000 mml	21

	NAME	SIGNATURE	DATE
DESIGN	Yosi M		26.02.2014
DRAWN	Yosi M		26.02.2014
APPROVED			
Q.A			
			JOB NO.:

MODEL :	3870
REV NO.:	00
SCALE:	1:10
QUANTITY/UNIT:	1
QUANTITY/JOB:	
CAT. No.:	

A4 / ISO

Tuttnauer
Your Sterilization & Infection Control Partners

DESCRIPTION:
3870 Loading shelf with Youtility Scott Duran

DRAWING NO.: **MATERIAL:**

3870 Loading shelf with Youtility Scott Duran

NOTES:
1) UNLESS OTHERWISE SPECIFIED: DIMENSIONS ARE IN MILLIMETERS.
2) DO NOT SCALE DRAWING.