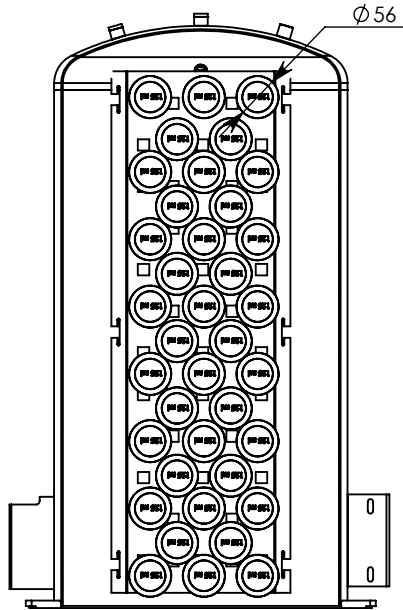
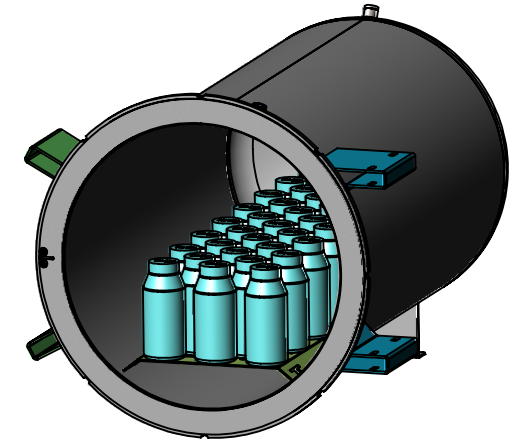
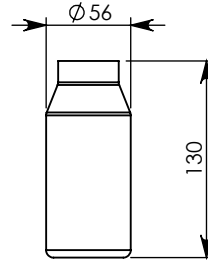
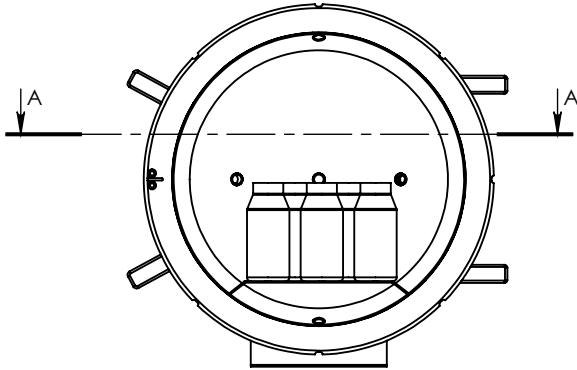


PROPRIETARY AND CONFIDENTIAL

THE INFORMATION CONTAINED IN THIS DRAWING IS THE SOLE PROPERTY OF TUTTNAUER LTD. ANY REPRODUCTION IN PART OR AS A WHOLE WITHOUT THE WRITTEN PERMISSION OF TUTTNAUER LTD. IS PROHIBITED.

PREP. BY	DESCRIPTION	DATE	REV.	ECO
----------	-------------	------	------	-----

125 ml



SECTION A-A

ITEM NO.	PART NUMBER	DESCRIPTION	CATALOG NUMBER	125 ml/Q TY.
1	CL2T11-0010	CHAMBER WELDING 3870ELCGPR-D	CHM387-0052	1
2	DURAN- YOUTILITY bottle, with cap screw	Schott Duran 125 mml	Schott Duran 125 mml	38
3	CR0T52-0010	מדף למכשיר מעבדתי	TRY387-0005	1

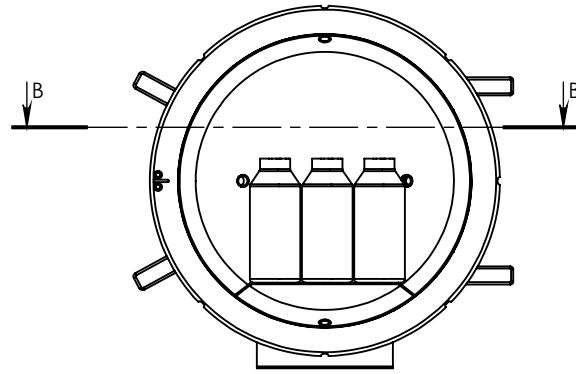
DESIGN	NAME: Yosi M	SIGNATURE	DATE: 26.02.2014	MODEL : 3870		A4 / ISO	
DRAWN	Yosi M		26.02.2014	REV NO.: 00 SCALE: 1:10			
APPROVED				QUANTITY/UNIT: 1	QUANTITY/JOB:	DESCRIPTION: 3870 EL with Youtility Scott Duran	
Q.A				CAT. No.:	DRAWING NO.:		MATERIAL:
SHEET 1 OF 4				JOB NO.:		3870 EL with Youtility Scott Duran	
Drawing folder : M:\Yosim\SolidWorks Work Space\3870 EL with Youtility Scott Duran						WEIGHT:	83.13 Kg

NOTES:
 1) UNLESS OTHERWISE SPECIFIED: DIMENSIONS ARE IN MILLIMETERS.
 2) DO NOT SCALE DRAWING.

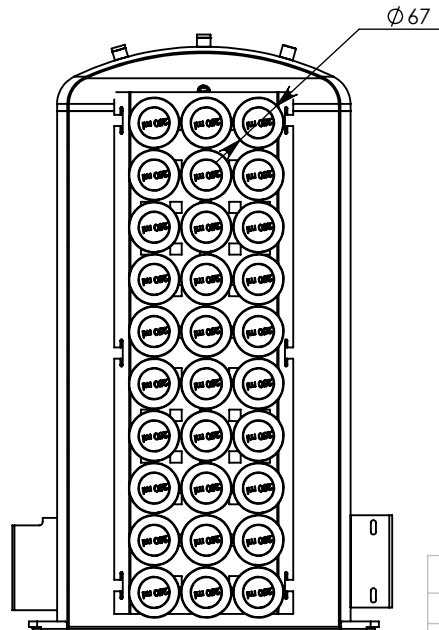
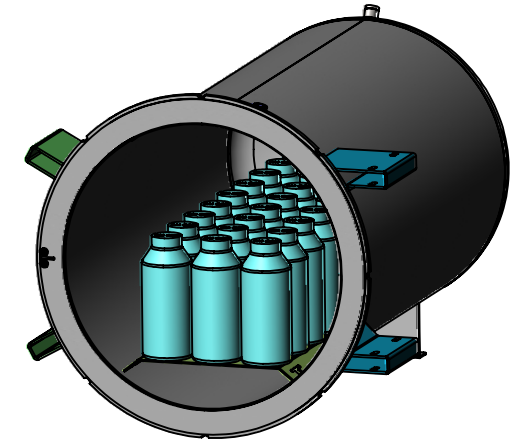
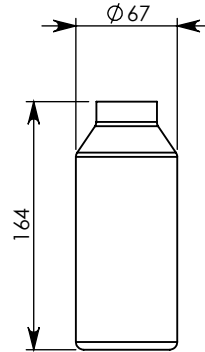
PROPRIETARY AND CONFIDENTIAL

THE INFORMATION CONTAINED IN THIS DRAWING IS THE SOLE PROPERTY OF TUTTNAUER LTD. ANY REPRODUCTION IN PART OR AS A WHOLE WITHOUT THE WRITTEN PERMISSION OF TUTTNAUER LTD. IS PROHIBITED.

Prep.by	Description	Date	Rev. No.	ECO
-	See Sheet1	-	-	-



250 ml



SECTION B-B



ITEM NO.	PART NUMBER	DESCRIPTION	CATALOG NUMBER	250 ml/QTY.
1	CL2T11-0010	CHAMBER WELDING 3870ELCGPR-D	CHM387-0052	1
2	DURAN- YOUTILITY bottle,with cap screw	Schott Duran 250 mml	Schott Duran 250 mml	30
3	CR0T52-0010	מדף למכשיר מעבדתי	TRY387-0005	1

DESIGN	NAME	SIGNATURE	DATE	MODEL :	3870		A4 / ISO	
DRAWN	Yosi M		26.02.2014	REV NO.:	00			
APPROVED	Yosi M		26.02.2014	QUANTITY/UNIT:	1	QUANTITY/JOB:	DESCRIPTION:	
Q.A							3870 EL with Youtility Scott Duran	
SHEET 2 OF 4			JOB NO.:	CAT. No.:	3870 EL with Youtility Scott Duran		DRAWING NO.:	MATERIAL:
Drawing folder : M:\Yosim\SolidWorks Work Space\3870 EL with Youtility Scott Duran							WEIGHT:	83.13 Kg

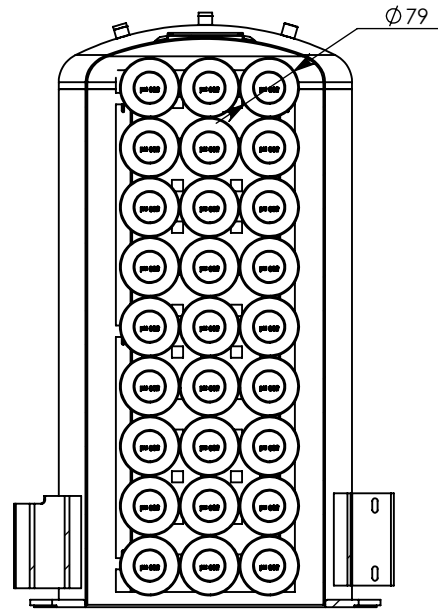
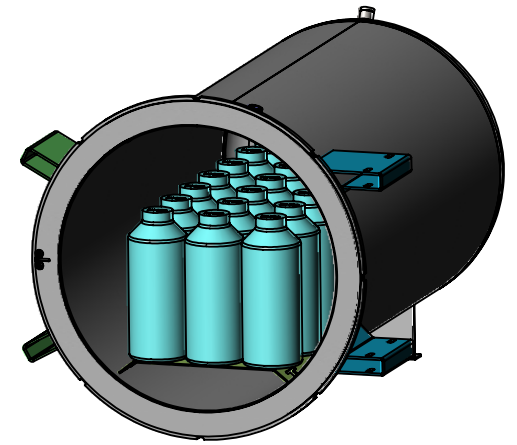
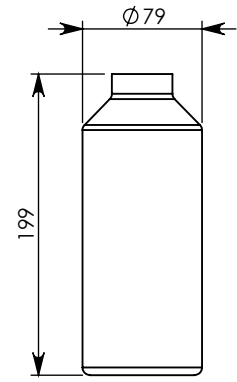
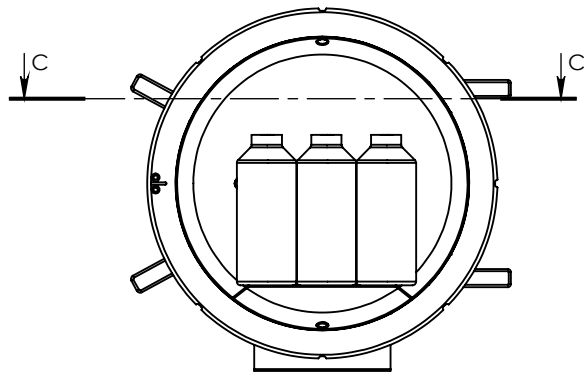
NOTES:
 1) UNLESS OTHERWISE SPECIFIED: DIMENSIONS ARE IN MILLIMETERS.
 2) DO NOT SCALE DRAWING.

PROPRIETARY AND CONFIDENTIAL

THE INFORMATION CONTAINED IN THIS DRAWING IS THE SOLE PROPERTY OF TUTTNAUER LTD. ANY REPRODUCTION IN PART OR AS A WHOLE WITHOUT THE WRITTEN PERMISSION OF TUTTNAUER LTD. IS PROHIBITED.

Prep. by	Description	Date	Rev. No.	ECO
-	See Sheet I	-	-	-

500 ml



SECTION C-C

ITEM NO.	PART NUMBER	DESCRIPTION	CATALOG NUMBER	500 ml/QTY.
1	CL2T11-0010	CHAMBER WELDING 3870ELCGPR-D	CHM387-0052	1
2	DURAN- YOUTILITY bottle, with cap screw	Schott Duran 500 mml	Schott Duran 500 mml	27
3	CR0T52-0010	מדף למכשיר מעבדתי	TRY387-0005	1

DESIGN	Yosi M	SIGNATURE	DATE	MODEL :	3870	 Your Sterilization & Infection Control Partners	A4 / ISO	
DRAWN	Yosi M		26.02.2014	REV NO.:	00			
APPROVED			26.02.2014	QUANTITY/UNIT:	1	QUANTITY/JOB:	DESCRIPTION:	
Q.A							3870 EL with Youtility Scott Duran	
SHEET 3 OF 4			JOB NO.:	CAT. No.:	DRAWING NO.:		MATERIAL:	
3870 EL with Youtility Scott Duran								
Drawing folder : M:\Yosim\SolidWorks Work Space\3870 EL with Youtility Scott Duran							WEIGHT: 83.13 Kg	

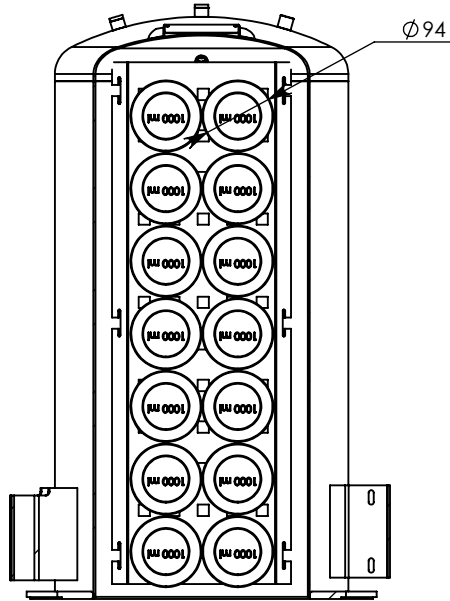
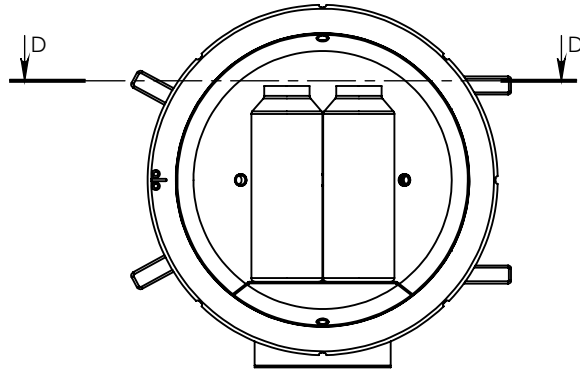
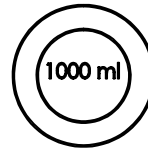
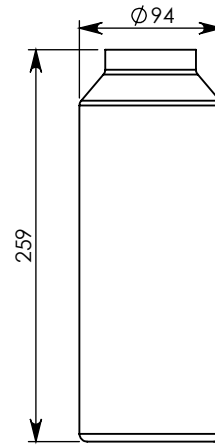
NOTES:
 1) UNLESS OTHERWISE SPECIFIED: DIMENSIONS ARE IN MILLIMETERS.
 2) DO NOT SCALE DRAWING.

PROPRIETARY AND CONFIDENTIAL

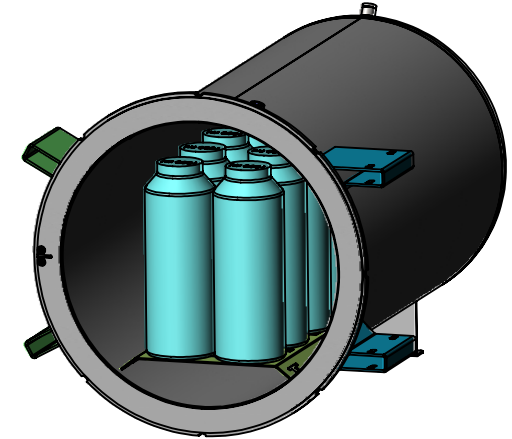
THE INFORMATION CONTAINED IN THIS DRAWING IS THE SOLE PROPERTY OF TUTTNAUER LTD. ANY REPRODUCTION IN PART OR AS A WHOLE WITHOUT THE WRITTEN PERMISSION OF TUTTNAUER LTD. IS PROHIBITED.

Prep. by	Description	Date	Rev. No.	ECO
-	See Sheet I	-	-	-

1000 ml



SECTION D-D



ITEM NO.	PART NUMBER	DESCRIPTION	CATALOG NUMBER	1000 ml/QTY.
1	CL2T11-0010	CHAMBER WELDING 3870ELCGPR-D	CHM387-0052	1
2	DURAN- YOUTILITY bottle, with cap screw	Schott Duran 1000 mml	Schott Duran 1000 mml	14
3	CROT52-0010	מדף למכשיר מעבדתי	TRY387-0005	1

DESIGN	Yosi M	SIGNATURE	DATE	MODEL :	3870		A4 / ISO	
DRAWN	Yosi M		26.02.2014	REV NO.:	00			
APPROVED			26.02.2014	QUANTITY/UNIT:	1	QUANTITY/JOB:	DESCRIPTION:	
Q.A							3870 EL with Youtility Scott Duran	
SHEET 4 OF 4			JOB NO.:	CAT. No.:	3870 EL with Youtility Scott Duran		DRAWING NO.:	MATERIAL:
Drawing folder : M:\Yosim\SolidWorks Work Space\3870 EL with Youtility Scott Duran							WEIGHT:	83.13 Kg

NOTES:
 1) UNLESS OTHERWISE SPECIFIED: DIMENSIONS ARE IN MILLIMETERS.
 2) DO NOT SCALE DRAWING.