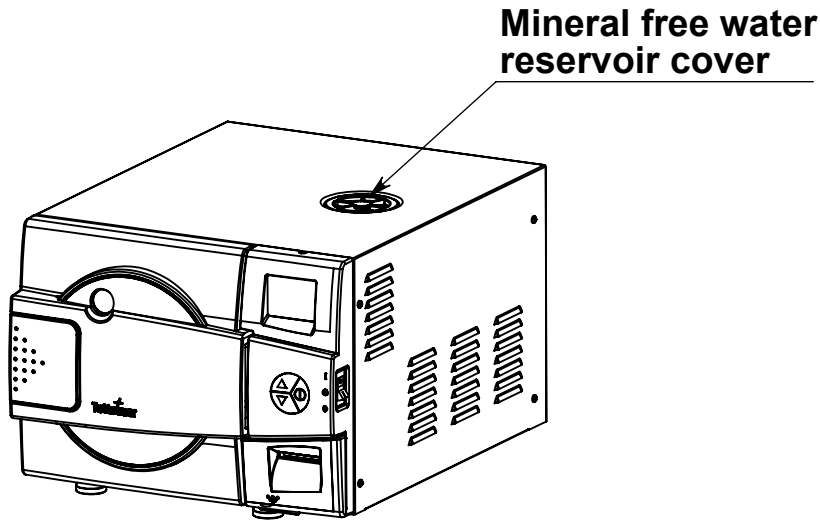
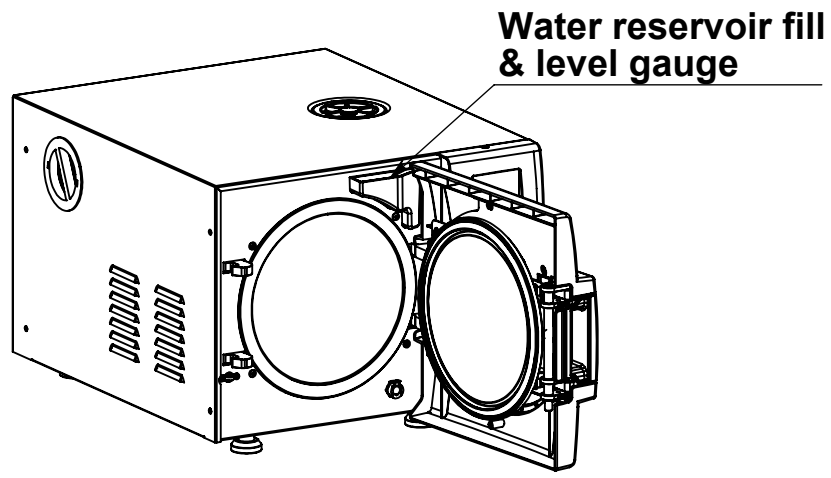
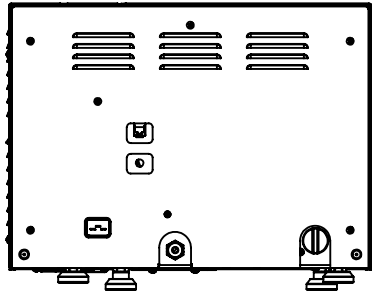
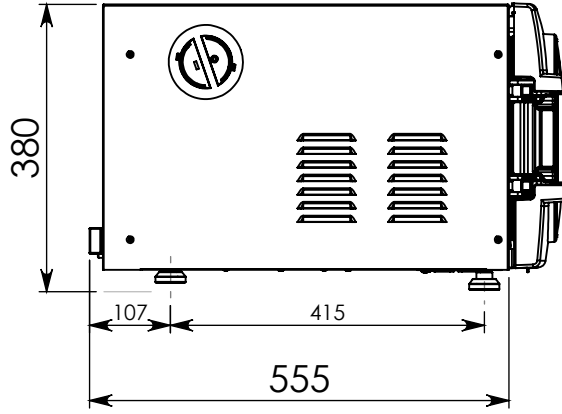
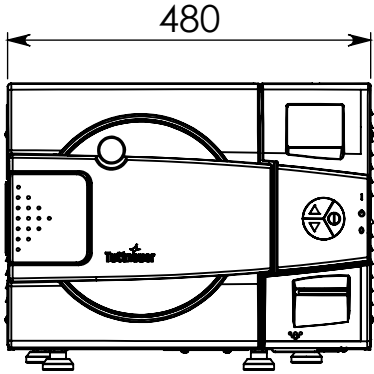


**Model : 2340EA-D
EZ11 PLUS**



All dimension are in millimeters